

ClarkeTM



Retractable Air Hose Reel

Models CAR9PC & CAR15PC

PART NOs: 3126005 & 3126000

USER GUIDE

INTRODUCTION

Thank you for purchasing this CLARKE Air Hose Reel.

Please read this manual thoroughly and follow the instructions carefully. Before attempting to use the hose reel, thoroughly familiarise yourself with the reel & its operation. In doing so you will ensure the safety of yourself and that of others around you, and you can look forward to the hose reel giving you long and satisfactory service.

GUARANTEE

This product is guaranteed against faulty manufacture for a period of 12 months from the date of purchase. Please keep your receipt which will be required as proof of purchase.

This guarantee is invalid if the product is found to have been abused or tampered with in any way, or not used for the purpose for which it was intended.

Faulty goods should be returned to their place of purchase, no product can be returned to us without prior permission. This guarantee does not effect your statutory rights.

PARTS & SERVICE

For spare parts and service, please contact your nearest dealer, or CLARKE International, on one of the following numbers.

PARTS & SERVICE TEL: 020 8988 7400 / FAX: 020 8558 3622

or e-mail as follows:

PARTS: Parts@clarkeinternational.com

SERVICE: Service@clarkeinternational.com

ENVIRONMENTAL PROTECTION



Do not dispose of this product with general household waste. It should be disposed of at a recognised disposal facility in accordance with local authority guidelines.

SPECIFICATION

These CLARKE retractable air hose reels incorporate a spring driven, automatic rewind with locking ratchet mechanism. They can be installed in any location using the integral mounting bracket and can be swivelled to cover a wide range of movement.

Model: **CAR9PC**

Part No: 3126005

Air Hose Size 8mm internal x 1m long, 8mm internal x 9m long

Reel Air Inlet (M) 1/4" BSP

Reel Air Outlet (M) 1/4" BSP

Maximum Rated Pressure: 13.79bar / 200psi

Model CAR9PC is supplied with integral fixing bracket & two 8 x 55mm expanding masonry anchor bolts.

Model: **CAR15PC**

Part No: 3126000

Air Hose Size 9.5mm Internal x 1.5m long, 9.5mm Internal x 15m long

Reel Air Inlet (M) 1/4" BSP

Reel Air Outlet (M) 1/4" BSP

Maximum Rated Pressure: 20 bar / 300psi

Model CAR15PC is supplied with integral mounting bracket & four 8 x 70mm expanding masonry anchor bolts.

GENERAL SAFETY RULES

1. **NEVER** exceed the rated operating pressure for these devices - 13.79 bar (200psi) /20 bar (300psi)
2. **NEVER** allow children to use the hose reel. Keep children clear of the work area at all times.
3. **NEVER** allow the hose to retract freely. It should always be restrained to prevent the air tool from whipping, with resultant damage to persons or property.
4. **ALWAYS** check for damage before using the hose. Any damage should be properly repaired or the part replaced. Consult your local dealer.
5. **ALWAYS** ensure trailing hose does not constitute a trip hazard.
6. **ALWAYS** wear eye protection when assembling and using the hose reel.
7. **ALWAYS** take appropriate safety precautions with respect to the use of compressed air.
8. **ALWAYS** ensure all air connections are properly sealed using teflon tape or pipe sealant.

INSTALLATION

The hose reel may be mounted to a wall, floor or ceiling as required. Ensure the mounting hardware and the mounting position is of sufficient strength to support the hose and reel, plus the force required to extend the hose.

Choose a suitable mounting position close enough to the compressor that the two items can be connected together using a shorter length of hose and from where, the air compressor can be conveniently adjusted. Mount the CAR9PC reel using two M8 bolts with washers secured through slots in the mounting bracket. Expanding bolts are supplied with the CAR15PC model for attaching to the building structure.

When the reel is secured in position, attach the air hose coming from the compressor. Wrap the threads of the male connector with teflon tape or other thread sealant, and connect to the air inlet hose of the hose reel. Use teflon tape at hose outlet when attaching air powered tools.

OPERATION

Check the reel for correct operation, as follows:

Gently pull out the hose - a series of clicks will be heard, every half revolution of the drum.

When a click is heard, release the hose. It should be held by the latch. Continue to pull out the hose, and after a series of clicks, at various lengths, release it to check the operation of the latch.

To release the latch, give the hose a brief pull, and allow the hose to retract, under control, until the stopper rests on the hose guide. Do not suddenly let go of the hose. If the hose becomes twisted, pull out a long length of hose before retracting so as to smooth out the hose.

When not in use, avoid leaving the reel exposed to very low temperatures which will make the hose less flexible and difficult to retract.

Avoid contact with chemicals and solvents such as acetone, white spirit etc.

MAINTENANCE



WARNING: Before carrying out any maintenance tasks always be sure to turn off the air supply to the Hose Reel and release any pressure in the air line.

Periodically, check the hose for wear and damage, and for leakage using soapy water. Any damage or leaks should be repaired before further use. If the hose becomes very dirty, clean it with soapy water before retraction into the reel.

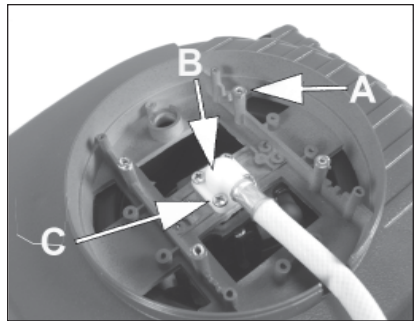
Store the reel and hose in a sheltered position out of direct sunlight.

Swivel Seal Replacement

The swivel seals will need replacing from time to time due to normal wear & tear. This is carried out as follows:

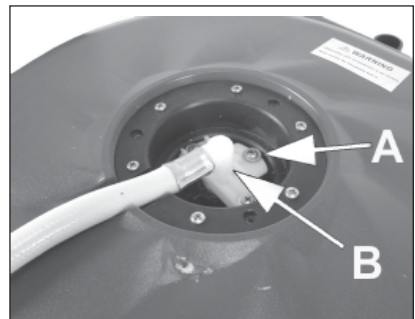
Model CAR9PC

1. Remove the four side cover securing screws - 'A', & lift off the cover to reveal the swivel assembly 'B'.
2. Undo & remove the four swivel hub securing screws 'C', and lift off the swivel hub.
3. Renew the O-ring seal and re-assemble in reverse order.



Model CAR15PC

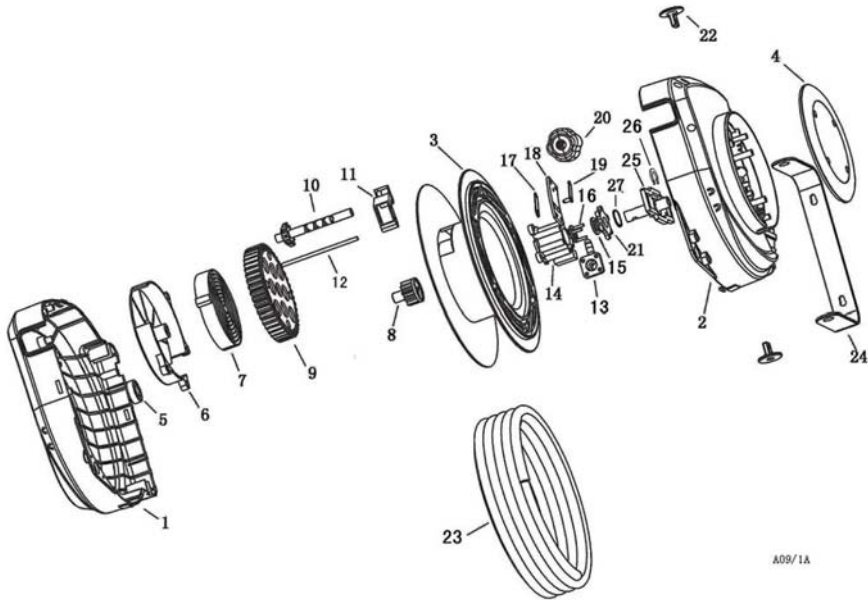
1. Remove the three side cover securing screws & lift off the cover to reveal the swivel assembly.
2. Undo & remove the three swivel hub securing screws 'A' and pull out the swivel hub 'B'.
3. Renew the two O-ring seals and re-assemble in reverse order.



IMPORTANT: DO NOT overtighten the swivel seal securing screws as damage to the plastic screw threads is irreparable.

PARTS DIAGRAM

Model CAR9PC

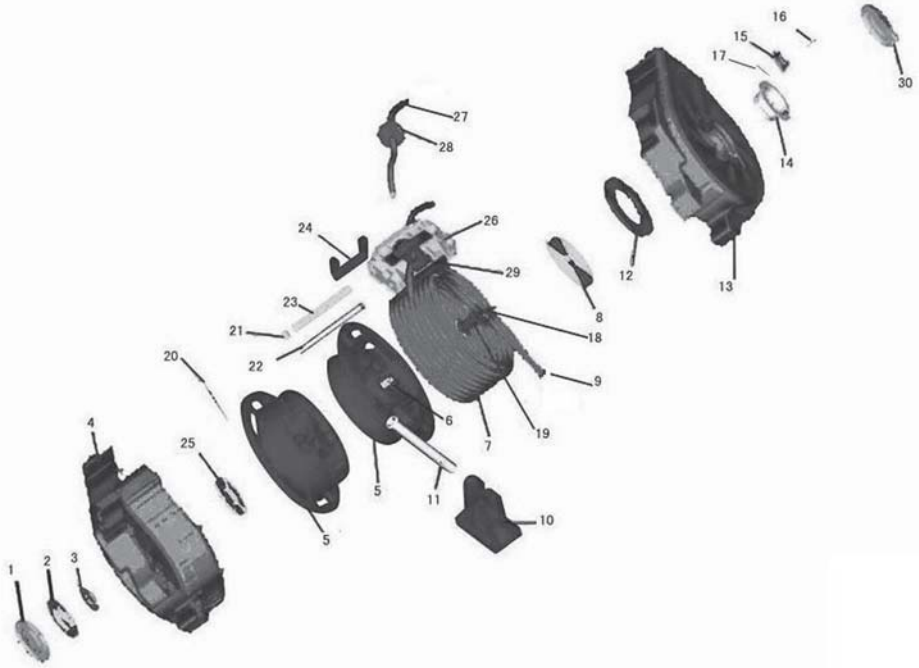


A09/1A

No.	Description	Part No.	No.	Description	Part No.
1	Casing Left Half	CAR9PC01	15	Flat Washer	CAR9PC15
2	Casing Right Half	CAR9PC02	16	3-foot Washer	CAR9PC16
3	Hose Reel (with track)	CAR9PC03	17	Guiding Slip	CAR9PC17
4	Right End Cover	CAR9PC04	18	Guiding Board	CAR9PC18
5	Bearing	CAR9PC05	19	Locking Needle	CAR9PC19
6	Spring Holder (left half)	CAR9PC06	20	Stopper	CAR9PC20
7	Coil Spring	CAR9PC07	21	Central Axle Cover	CAR9PC21
8	Central Gear	CAR9PC08	22	Bracket Fixer	CAR9PC22
9	Spring Holder(right half)	CAR9PC09	23	Hose	CAR9PC23
10	Screw Mandrel	CAR9PC10	24	Bracket	CAR9PC24
11	Guide Set	CAR9PC11	25	Copper column	CAR9PC25
12	Guide Stick	CAR9PC12	26	Clip	CAR9PC26
13	Axis/Hose Connector	CAR9PC13	27	Sealing O-Ring	CAR9PC27
14	Centre Axle	CAR9PC14			

PARTS DIAGRAM

Model CAR15PC



No.	Description	Part No.	No.	Description	Part No.
1	Left End Cover	CAR15PC01	16	Ratchet Pin	CAR15PC16
2	Spring Tensioning Disc	CAR15PC02	17	Ratchet Pin Guide	CAR15PC17
3	Gear Cover	CAR15PC03	18	Inlet Hose Connector	CAR15PC18
4	Casing -Left Half	CAR15PC04	19	Outlet Hose Connector	CAR15PC19
5	Hose Reel	CAR15PC05	20	Synchronising Belt	CAR15PC20
6	Central Spool	CAR15PC06	21	Small Gear for above	CAR15PC21
7	Hose (15m)	CAR15PC07	22	Guiding Rod	CAR15PC22
8	Coil Spring	CAR15PC08	23	Screw Mandrell	CAR15PC23
9	Inlet Quick Connector	CAR15PC09	24	Handle bar	CAR15PC24
10	Mounting Bracket	CAR15PC10	25	Large Gear for belt	CAR15PC25
11	Aluminium Tube	CAR15PC11	26	Front Cover	CAR15PC26
12	Track Disc	CAR15PC12	27	Connector	CAR15PC27
13	Casing - Right Half	CAR15PC13	28	Stopper	CAR15PC28
14	Plastic Boss	CAR15PC14	29	Guide Set	CAR15PC29
15	Ratchet Pawl Housing	CAR15PC15	30	Right End Cover	CAR15PC30

A SELECTION FROM THE VAST RANGE OF

Clarke®

QUALITY PRODUCTS

AIR COMPRESSORS

From DIY to industrial, Plus air tools, spray guns and accessories.

GENERATORS

Prime duty or emergency standby for business, home and leisure.

POWER WASHERS

Hot and cold, electric and engine driven - we have what you need

WELDERS

Mig, Arc, Tig and Spot. From DIY to auto/industrial.

METALWORKING

Drills, grinders and saws for DIY and professional use.

WOODWORKING

Saws, sanders, lathes, mortisers and dust extraction.

HYDRAULICS

Cranes, body repair kits, transmission jacks for all types of workshop use.

WATER PUMPS

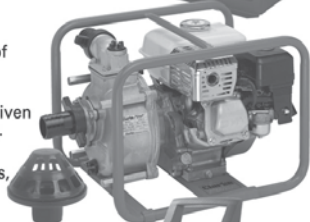
Submersible, electric and engine driven for DIY, agriculture and industry.

POWERTOOLS

Angle grinders, cordless drill sets, saws and sanders..

STARTERS/CHARGERS

All sizes for car and commercial use.



PARTS & SERVICE: 0208 988 7400

E-mail: Parts@clarkeinternational.com or Service@clarkeinternational.com

SALES: UK 01992 565333 or Export 00 44 (0)1992 565335

Clarke INTERNATIONAL Hemnall Street, Epping, Essex CM16 4LG
www.clarkeinternational.com